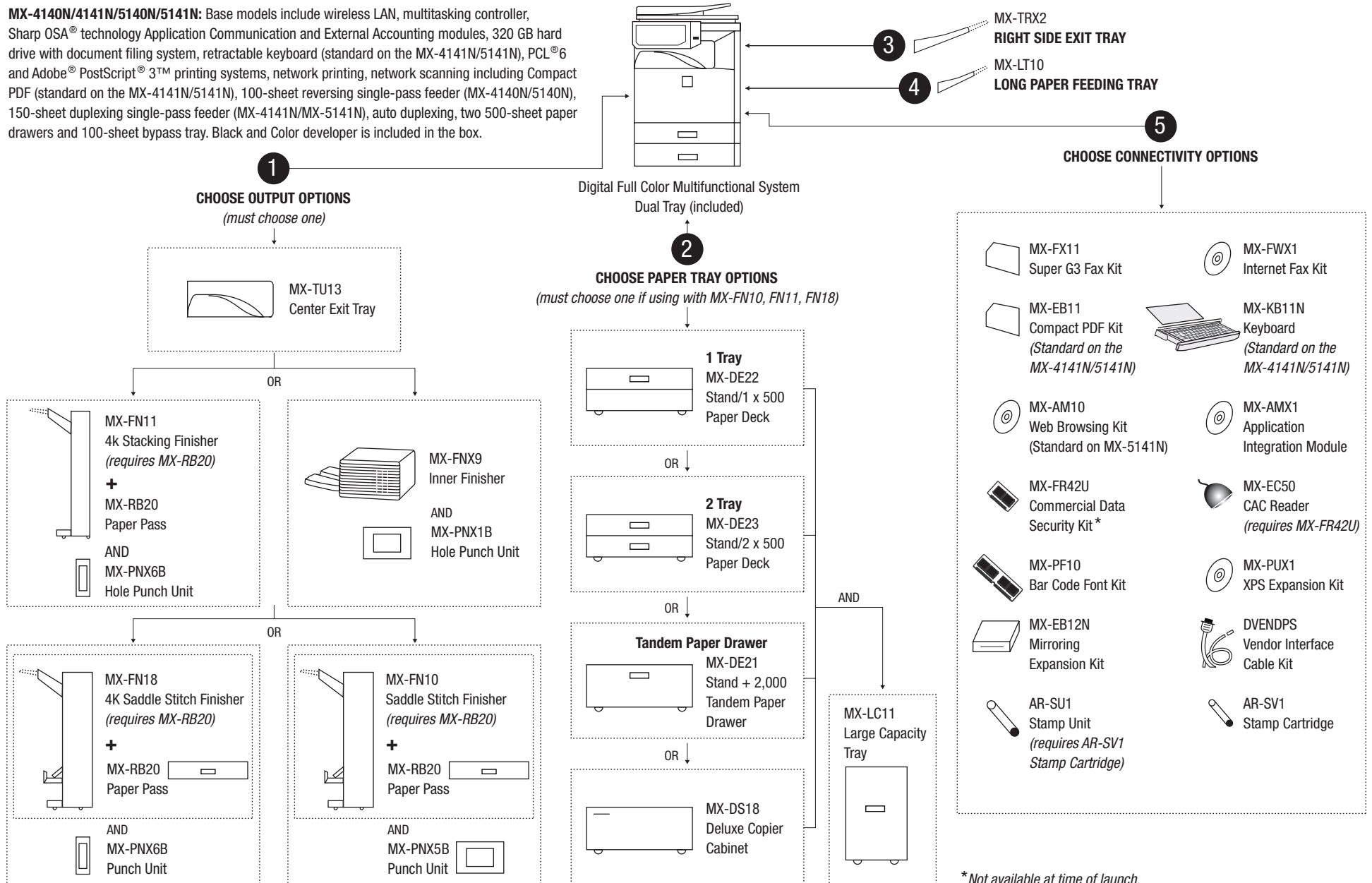


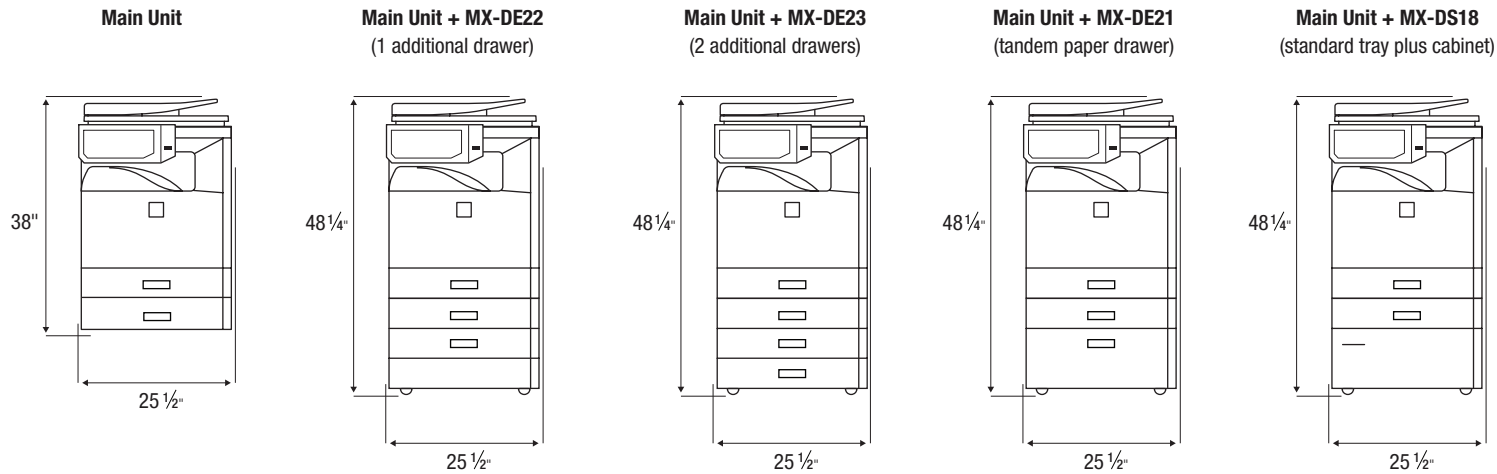
## PRODUCT CONFIGURATION

**MX-4140N/4141N/5140N/5141N:** Base models include wireless LAN, multitasking controller, Sharp OSA® technology Application Communication and External Accounting modules, 320 GB hard drive with document filing system, retractable keyboard (standard on the MX-4141N/5141N), PCL®6 and Adobe® PostScript® 3™ printing systems, network printing, network scanning including Compact PDF (standard on the MX-4141N/5141N), 100-sheet reversing single-pass feeder (MX-4140N/5140N), 150-sheet duplexing single-pass feeder (MX-4141N/MX-5141N), auto duplexing, two 500-sheet paper drawers and 100-sheet bypass tray. Black and Color developer is included in the box.



\*Not available at time of launch.

### SPACE REQUIREMENTS AND PLANNING



**Plan ahead to ensure your installation is a great success! Check the latest information on these products and have the following items available prior to installation.**

- Verify power dedication and check for power stability. The MX-4140N/4141N/5140N/5141N Document Systems require AC 100-127 VAC, 60 HZ power source and draw up to 16 Amps current (requires 20 A circuit breaker).
- Confirm that you have the latest firmware available to upgrade your MX-4140N/4141N/5140N/5141N Document Systems.
- Some accessories require a product key for operation. You should obtain the accessory Application Code Number, machine's serial number and register online prior to arrival.
- Verify that the customer has enough supplies on-hand to complete a large rush job. After-hours printing and/or holiday work may take place following an installation.

*MX-51NTBA* Black Toner  
*MX-51NTCA* Cyan Toner  
*MX-51NTMA* Magenta Toner  
*MX-51NTYA* Yellow Toner

*MX-51NVBA* Black Developer  
*MX-51NVSA* Cyan/Magenta/Yellow Developer  
*MX-51NRSA* Drum  
*MX-510HB* Toner Collection Container

- Check to see if My Sharp™ online training is set up for the end-user.

